

PRO-0410

3-circuit Track System



1 meter (1000mm)

Product code White (RAL 9010)  
EAN code White

PRO-0410-W  
8719747930007

Product code Grey (RAL 7040)  
EAN code Grey

PRO-0410-S  
8719747930014

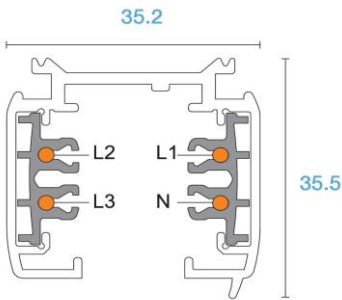
Product code Black (RAL 9011)  
EAN code Black

PRO-0410-B  
8719747930021

Main materials  
Net weight per piece  
Inner box / outer box  
Rated voltage per circuit

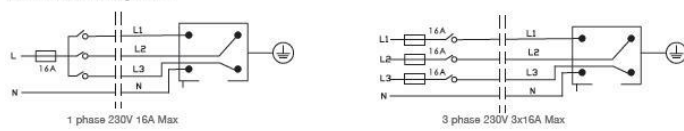
Copper + Aluminum  
840 g  
1 / 20 pcs  
230V / 16A

Dimensions

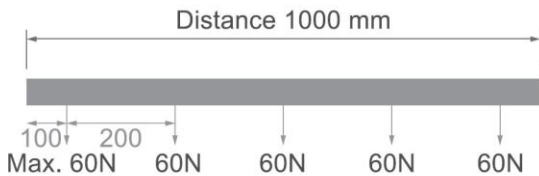


Connecting Diagram

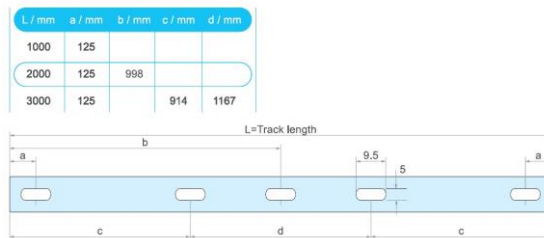
3 circuit track system



Mechanical Load Diagram



Fixing Point Dimensions



ON THE RIGHT TRACK

