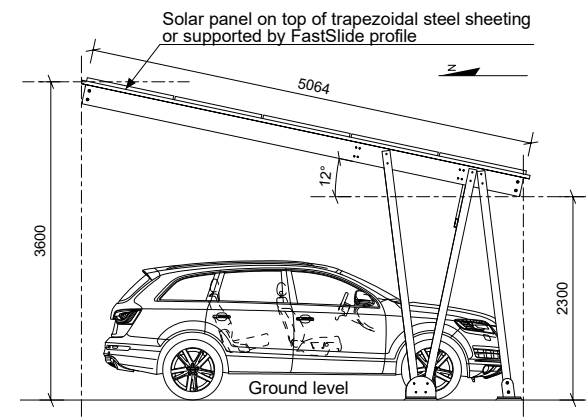
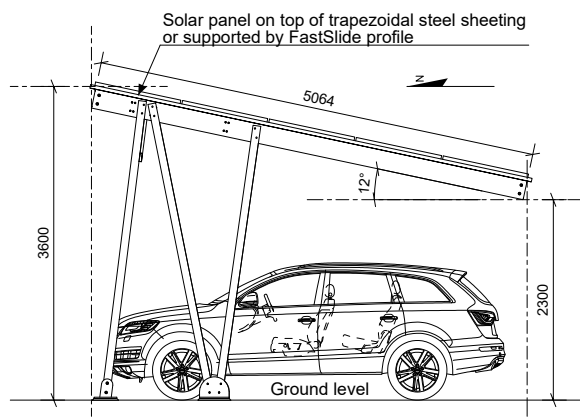


SECTION VIEWS

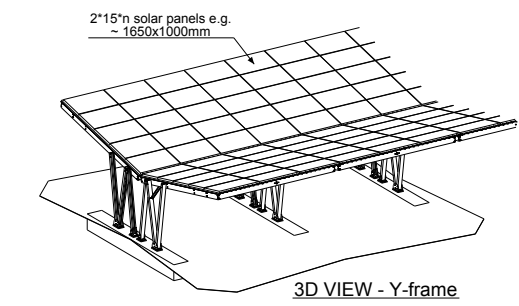
SOUTH



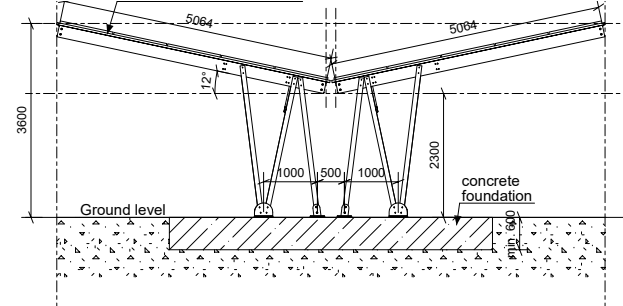
NORTH



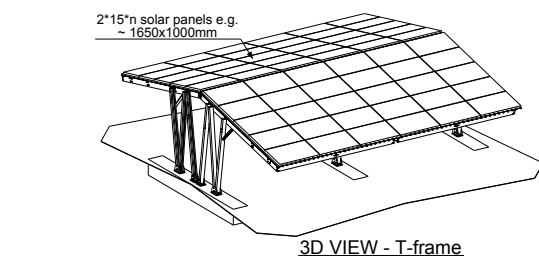
ALSO POSSIBLE



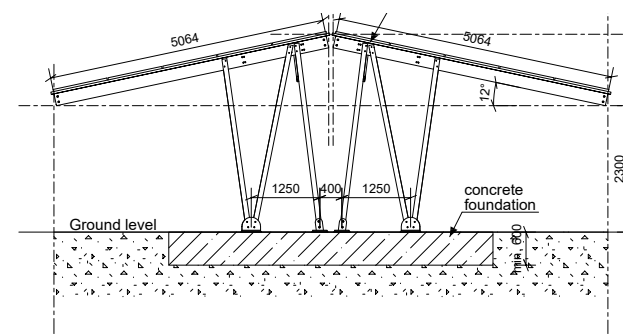
3D VIEW - Y-frame



SIDE VIEW - Y-frame



3D VIEW - T-frame



SIDE VIEW - T-frame

All dimensions are in mm



Headquarters

Belgium
 Bruggesteeweg 200
 8830 Hooglede-Gits, Belgium
 T. +32 51/26 12 11
 F. +32 51/26 13 01
sadef.solar@voestalpine.com

Representative offices

The netherlands
 W. Witsenplein 4
 2596 BK Den Haag,
 The Netherlands
 T. +31 70/324 28 02
 F. +32 51/26 16 13
sadef.solar@voestalpine.com

France
 2, Bd Albert 1er
 94130 Nogent-s-Marne, France
 T. +33 1/43 24 60 11
 F. +33 1/43 24 60 01
sadef.solar@voestalpine.com

Germany
 Frans-Tilgner-Strasse 10
 50354 Hürth, Germany
 T. +49 22/33 20 11 48
 F. +49 22/33 20 28 85
sadef.solar@voestalpine.com

www.voestalpine.com/sadef



SADEF SOLAR
 STRUCTURES

THE STANDARDISED CARPORT

voestalpine Sadef nv



TECHNICAL DETAILS

DESIGN

- » Double or Multiple Carport
- » For 2 parking places per bay
- » Parking place:
 - » 2,5 x 5 (x2) metres – Double
 - » ... x 5 meters – Multiple
- » Clearance: 2,3 metres
- » Tilt: 12°

ROOF SYSTEMS

- » Steel deck or solar roof
- » FastSlide (for panel frame heights above 32mm and projectsize >250KW)

FEATURES

- » Modular in length (Multiple)
- » For all type of panels
- » Landscape or portrait panel arrangement

MATERIAL

- » Foundation base: hot-dipped galvanized
- » Profiles: Metallic coated steel (Zn Mg) or Stainless steel
- » Bolts: hot-dipped galvanized

OPTIONAL

- » Powder coating

SCOPE OF DELIVERY BY VOESTALPINE SADEF

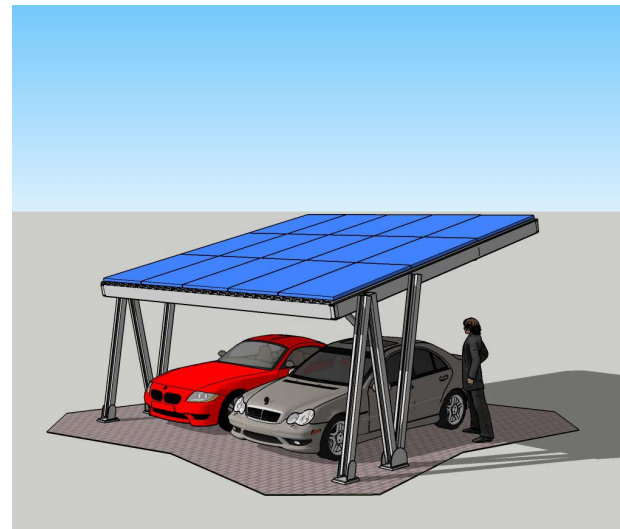
- » Frame components and bolts
- » Assembly instruction

TO BE CARRIED OUT/PROVIDED BY CUSTOMER

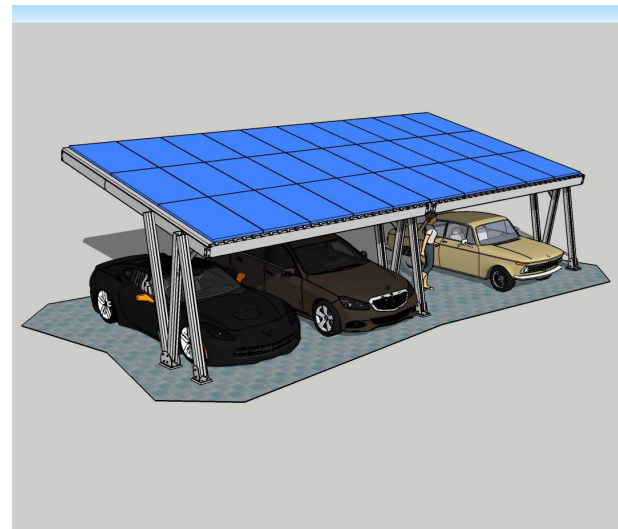
- » Foundations and anchors
- » Steel deck + Module fixing
- » Gutter / down comer

BENEFITS

- » Easily accessible
- » Quick and easy mounting
- » Structural design according to Eurocode and its corresponding national application document



DOUBLE



MULTIPLE

All dimensions are in mm



APPLICABILITY BY COUNTRY

To be used in following regions (terrain cat. II) and for a snow load up to $S_k = 1.1$ except for France $S_k = 0.95$

- » Belgium: >200m AMSL
- » France: for wind zones 1, 2 and 3 (for terrain category II) and snow zones up to C2 (below 500m)
- » Netherlands: wind zone 1,2 and 3
- » Germany: for wind zones 1 and 2 and snow zone 1,2 and 3 ($\leq 200m$ AMSL)
- » UK: entire country (except for Scotland >200m)

OTHER REGIONS OR LOADS*

- » Contact voestalpine Sadef

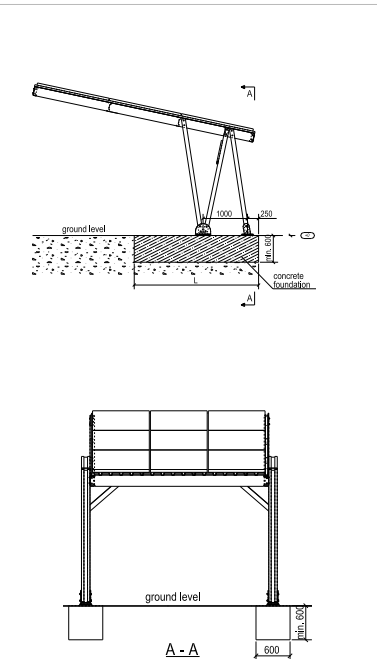
Below information is intended to provide an estimation for preliminary design purposes. A specialized engineer should make final design after further soil investigation. For very weak soil or very fine-grained sands, ask specialized advice.

FOR MIDDLE LOADS

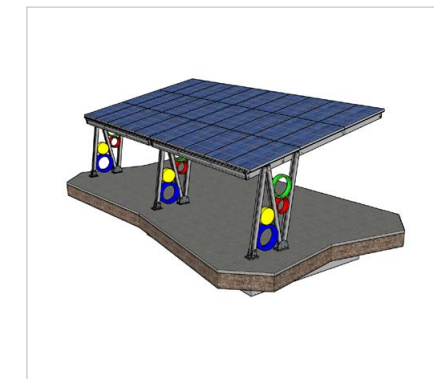
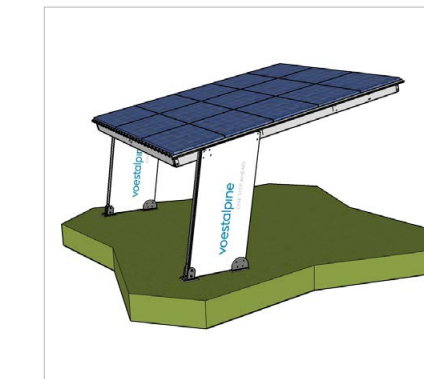
Foundation predesign based on:

- » Moderately good soil
- » $\varnothing' - 30^\circ$
- » $q = 15 \text{ kN/m}^2$
- » Concrete C25/30

FOUNDATION LENGTH L(m)	
Flexpark type	Middle loads
DOUBLE	3,50
MULTIPLE	5,00



CORPORATE BRANDING



Disclaimer: All dimensions are in mm
Design to be approved by voestalpine Sadef