

PRO-0437

Connection Parts

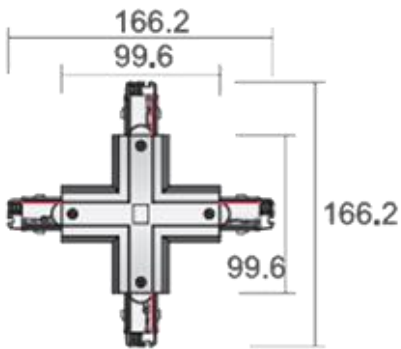


X-connector



Product code White (RAL 9010) EAN code White	PRO-0437-W 8719747930571
Product code Grey (RAL 7040) EAN code Grey	PRO-0437-S 8719747930588
Product code Black (RAL 9011) EAN code Black	PRO-0437-B 8719747930595
Main materials	PC UL94V0 + Copper + Steel
Net weight per piece	230 g
Inner box / outer box	5 / 60 pcs
Rated voltage per circuit	230V / 16A

Dimensions



Red line on the diagram indicates the polarity ridge

ON THE RIGHT TRACK

