

# QUICK INSTALLATION GUIDE

## Automatic Solution for EPS function

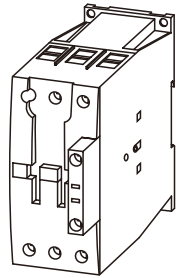


### Introduction

The X-hybrid E inverter supports both on-grid and off-grid modes. When the grid is on, the inverter will have output through the AC output, and it will have output through the EPS output when the grid is off. User can realize this function automatically with an external contactor installed. Following is an assistant guide for installation, please note all operations must apply to local country relevant regulations.

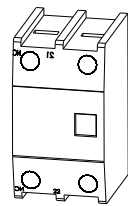
### Components

**contactor**  
EATON\_DILM40C



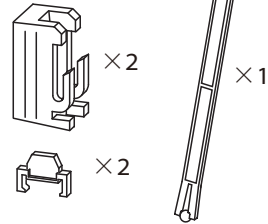
×2

**auxiliary contact module**  
EATON\_DILM150C-XHI11



×2

**accessories**  
EATON\_DILM65-XMV  
XTCEXMLD



### Cables

size	application	colour ( reference Figure-2 )
6 AWG	Grid input / Load output	bold red/black cable
10 / 12 AWG	EPS input / EPS output	fine red/black cable
12 AWG	Coil cable	orange/blue cable

### EPS wiring diagram

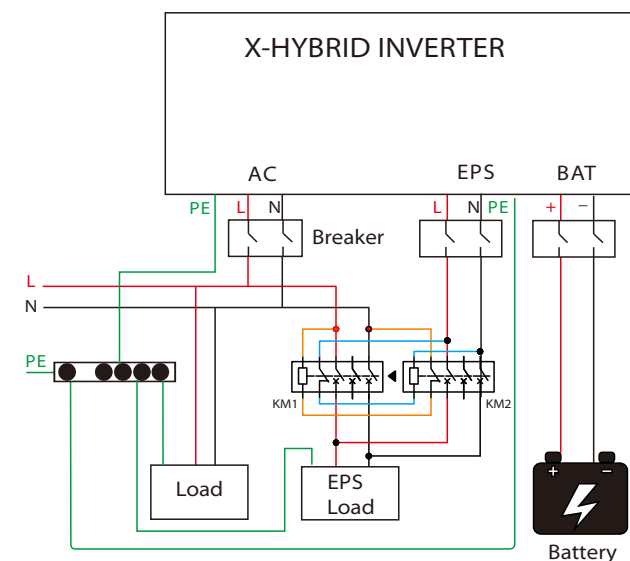


Figure-1 wiring diagram

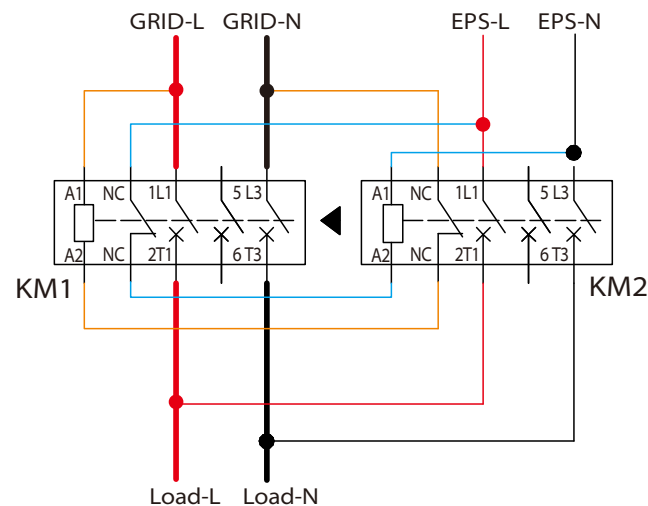
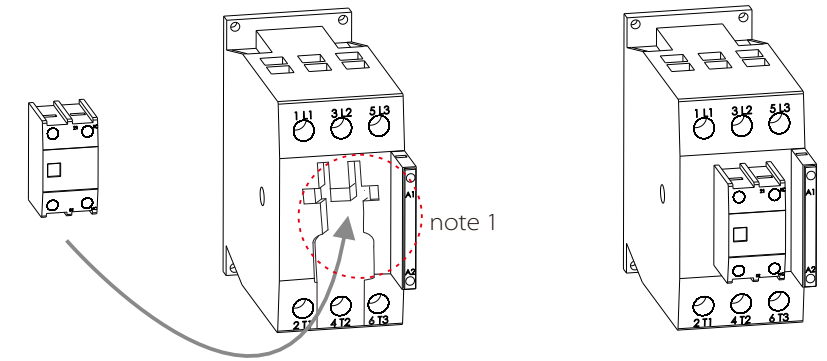


Figure-2 contactor diagram

### Connection

**Step1:** Install auxiliary contact to contactor.

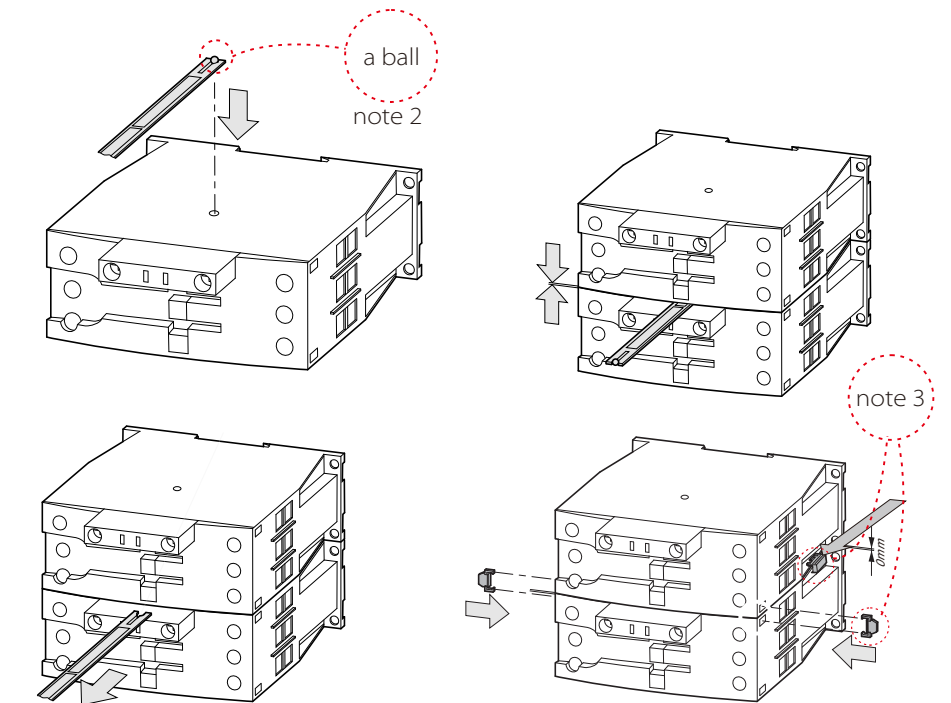
Note1: Please lock tightly.



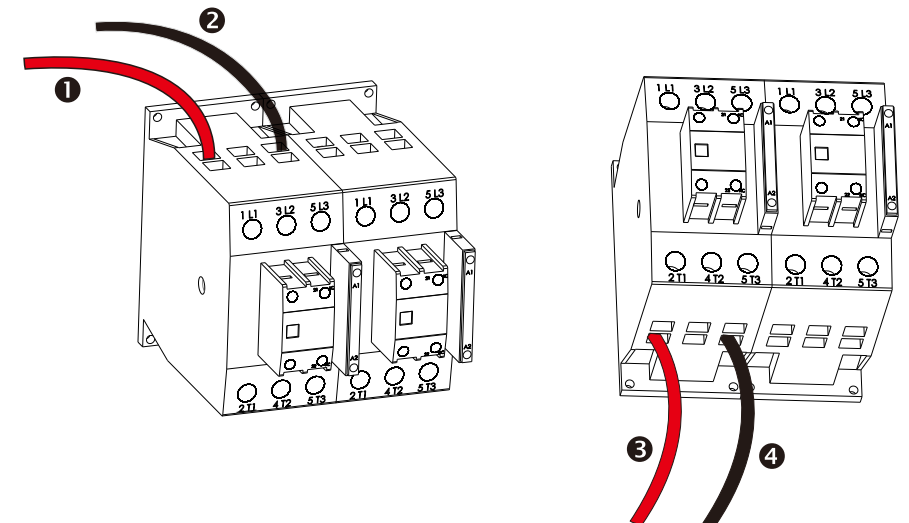
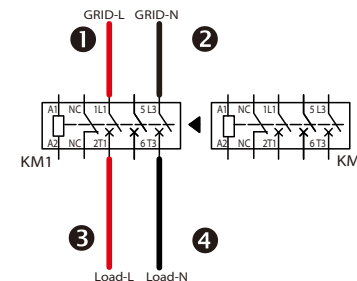
**Step2:** Install mechanical locks.

Note2: Put the ball into the slot of two contact surfaces.

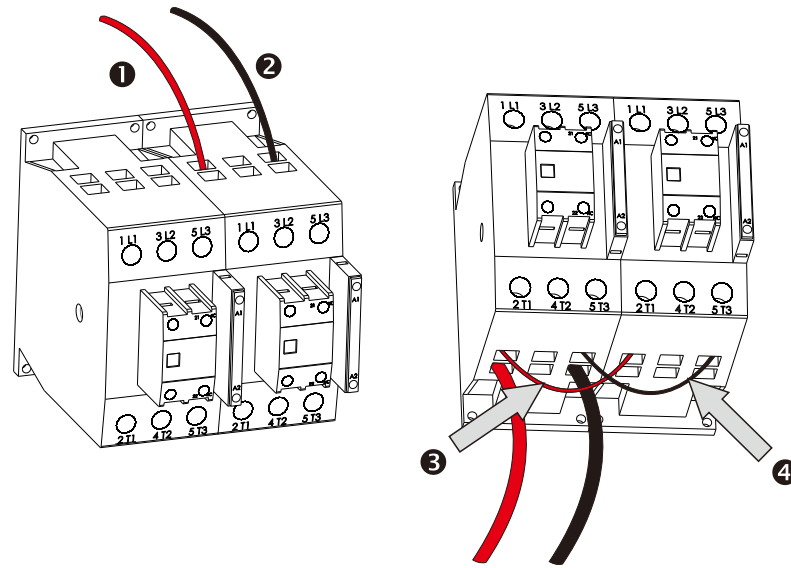
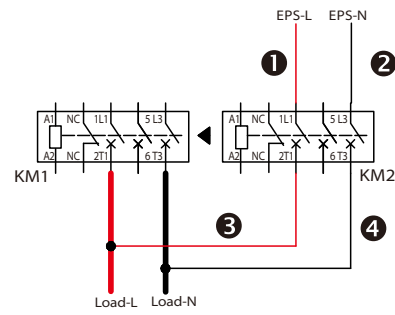
Note3: Lock two contactors together with accessories.



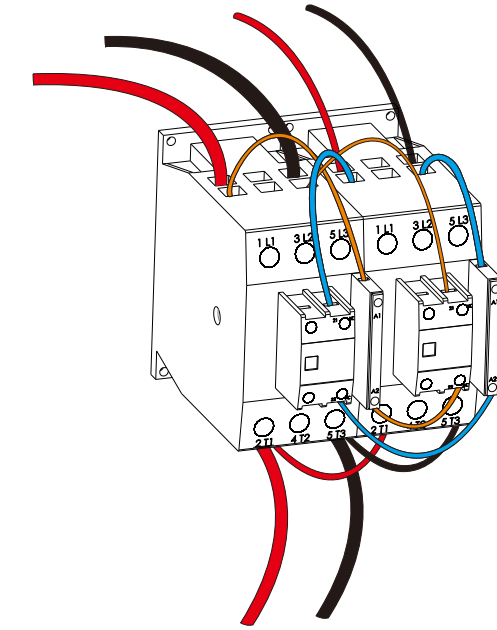
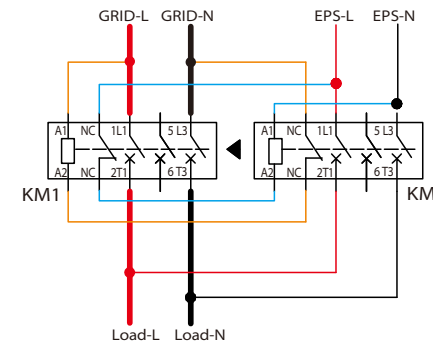
**Step3:** Connect grid input and load output to contactor with cable(6 AWG)



**Step4:** Connect EPS input and EPS output to contactor with cable(10/12 AWG)



## Overview of Connection



**Step5:** Connect two sets of coils and two auxiliary contacts in series respectively with cable(12 AWG).

