

## Nexa TOPCon N-type

FRONT SIDE

# 420 - 440W

› Double Glass Bifacial

+22.5%

### Module efficiency

Module efficiency up to 22.52 %



### Different designs

Black - Silver



### Bifacial cell

Extra energy generated from the backside of the cell depending on albedo



### Fire rating

Class A



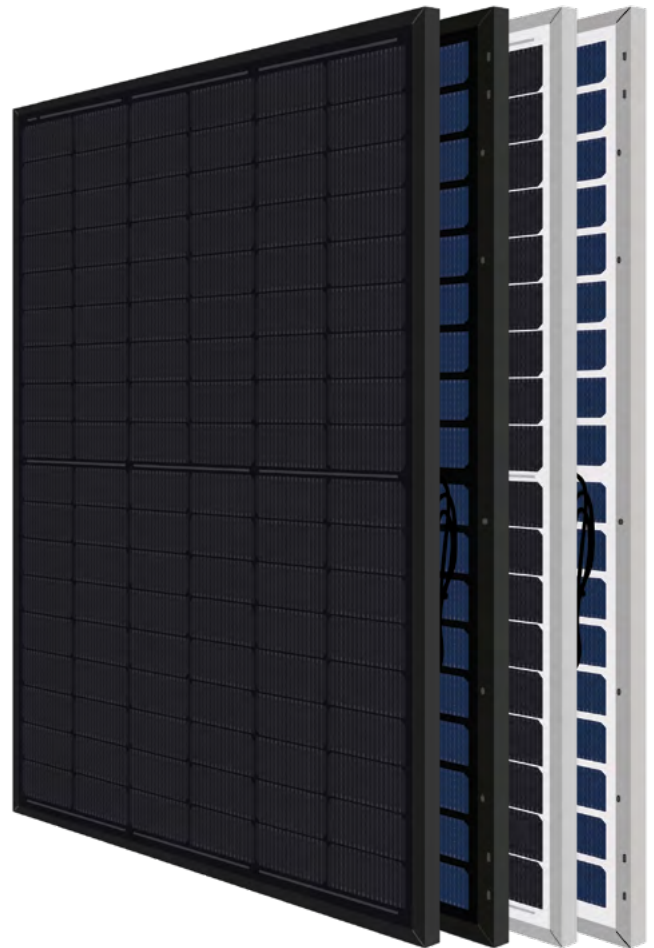
### PFAS free

Product free from perfluoroalkyl and polyfluoroalkyl substances



### Sustainable product

High percentage of recyclable materials



# 25

Years

Product Warranty

+5 years for Premium Partners

# 30

Years

Performance Warranty

Linear Warranty

1% First year degradation

0.38% Annual degradation

88% Power in year 30

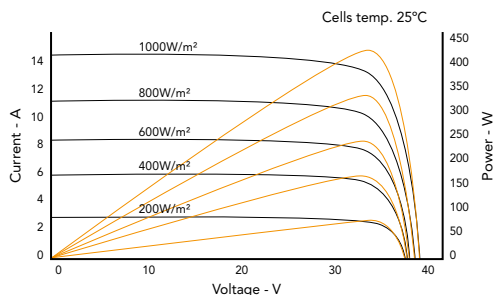
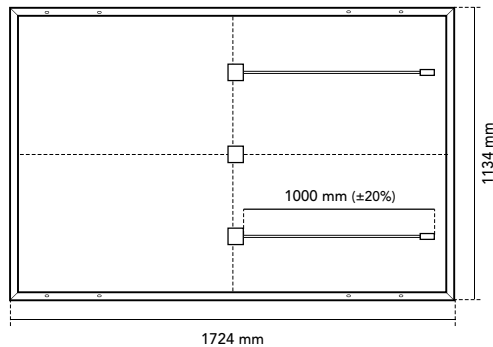
### Light up your world with Eurener

Eurener's extensive portfolio of certifications and awards is testament to our unwavering commitment to our partners and our deep sense of social and ethical responsibility.





# Eurener MEPV — NEXA Double Glass Bifacial 420-440W



Mechanical Specification	
Solar cells	N-Type bifacial monocrystalline silicon cells
Front Glass	2mm anti-reflective surface tempered solar glass
Back Glass	2mm tempered solar glass
Frame	Black/silver anodized aluminium
Junction Box	IP68, 3 by-pass diodes
Connector	Original MC4-Evo 2
Cable	1000 mm (±20%) length and 4 mm² section
Dimension	1724 x 1134 x 30 mm (±1%)
Area	1.96 m²
Weight	24 kg
Packaging	962 pcs/truck

Temperature Coefficients	
Temperature coefficient of Isc (α)	0.045 %/°C
Temperature coefficient of Voc (β)	-0.275 %/°C
Temperature coefficient of Pmax (γ)	-0.29 %/°C
Temperature range	-40 °C ~ +85 °C
Nominal operating cell temperature (NOCT)	45 ± 2 °C

Electrical Characteristics	MEPV 420		MEPV 425		MEPV 430		MEPV 435		MEPV 440	
	STC	NOCT	STC	NOCT	STC	NOCT	STC	NOCT	STC	NOCT
Nominal power. Pmax	420 Wp	322 Wp	425 Wp	325 Wp	430 Wp	329 Wp	435 Wp	333 Wp	440 Wp	337 Wp
Short-circuit current (Isc)	14.08 A	11.34 A	14.16 A	11.41 A	14.26 A	11.47 A	14.30 A	11.54 A	14.37 A	11.61 A
Open-circuit voltage (Voc)	38.09 V	36.52 V	38.28 V	36.70 V	38.42 V	36.88 V	38.70 V	37.06 V	38.91 V	37.24 V
Maximum power current (Imp)	13.34 A	10.75 A	13.42 A	10.81 A	13.52 A	10.88 A	13.56 A	10.94 A	13.63 A	11.01 A
Maximum power voltage (Vmp)	31.49 V	29.92 V	31.68 V	30.10 V	31.82 V	30.27 V	32.09 V	30.45 V	32.30 V	30.63 V
Module efficiency	21.49 %		21.75 %		22.01 %		22.26 %		22.52 %	

Electrical Characteristics	Bifacial gain 10%				
	Nominal power. Pmax	462 Wp		468 Wp	
Short-circuit current (Isc)	15.43 A		15.52 A		15.63 A
Open-circuit voltage (Voc)	38.09 V		38.31 V		38.49 V
Maximum power current (Imp)	14.63 A		14.72 A		14.82 A
Maximum power voltage (Vmp)	31.58 V		31.76 V		31.91 V

\* STC: 1000 W/m², module temperature 25°C, AM 1.5  
 \* NOCT: 800 W/m², ambient temperature 20°C, AM 1.5

Operating parameters	
Maximum voltage	1000 - 1500 V
Maximum series fuse rating. Ir	25 A
Power output tolerance	0 - +3%
Voc and Isc tolerance	±3%
Fire rating	Class A (UL 790)
Protection class	Class II (IEC 61140)
Mechanical loads	Front load 5400 Pa, Back load 2400 Pa

Corporate and product certificates
ECOVADIS rating - Platinum medal (TOP 1%)
Solar Industry Forced Labor Prevention Pledge by SEIA
ISO9001:2015 - Quality Management Systems
ISO14001:2015 - Environmental Management System
WEEE compliance in Germany
PV CYCLE Italy
IEC 61215 - Terrestrial photovoltaic (PV) modules - Design qualification and type approval
IEC 61730 - Photovoltaic (PV) module safety qualification
IEC 61701 - Photovoltaic (PV) modules - Salt mist corrosion testing
IEC 62716 - Photovoltaic (PV) modules - Ammonia corrosion testing
IEC TS 62804 - Photovoltaic (PV) modules - Test methods for the detection of potential-induced degradation
Hail resistance HW3/RG3
Certificate of Factory Production Control (UK) - MCS
Fire reaction class: 1 - LAPI
Assessed by Sundahus



NOTE: Read the safety and installation manual before using the product. This data sheet is not legally binding, Eurener reserves the right of final interpretation. Eurener reserves the right to change the product characteristics and/or specifications without prior notice. The latest versions of all documents can always be found on our website at [www.eurener.com](http://www.eurener.com).

**SINCE 1997**  
 more than energy

**eurener.com**  
 contact@eurenerworld.com  
 +34 960 045 515  
 Calle Colón, 1-23  
 46004, Valencia. Spain

**www.project-zero.be**  
 sales@project-zero.be  
 +32 56 711 501  
 Windhoek 29  
 8790 Waregem. België

